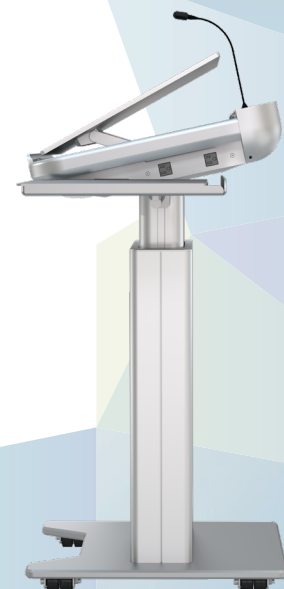


ILS prides itself to build the highest quality lecterns around from thick aluminum profiles, blocks and plates, machined to a perfect fit and style. The lecterns are virtually free of maintenance for decades. In ILS products it is possible to remove a damaged part and renew it, or to make new fittings for future upgrades without affecting the rest of the installed system.

The **Synergy GW-MS** is the most perfect interactive PC presentation solution. An AIO PC holder is installed inside the working surface in such a way that the unique Microsoft Surface Studio is mounted with the monitor in its lowest position flush with the lectern head. This Synergy model is specially designed for the Microsoft Surface Studio and comes with two large internal cavities that can hold Crestron NVX350 or similar half rack devices on either side of the Microsoft PC foot.

Synergy GW-MS version comes with one 2-level side table with laptop connection cables covered and invisible to the audience. Table is moving up or down with the top. This makes it possible to use handwritten notes, laptop, or place a document camera on it. The extension chambers are designed with a little edge for optimal grip and comfort for the user. There are two USB 3.0 sockets and a holder with built-in charging cables for tablets and smartphones. An XLR shock-mount is included to the left. Top is placed on a motorized wide pillar with a height adjustment range up to 40 cm (15" +). Two buttons will help you to control it. In the lowest position, a seated person can freely use the system.

For mobility and rock-solid stability of the lectern during the presentation, four side-ways rollers are embedded in the bottom plate. In addition, we will be pleased to engrave your logo on the front panel of the lectern, in case of using the system in formal events!



**DIMENSIONS**

<b>Width</b>	<b>Top:</b> 830 mm x 535 mm <b>Side Plate:</b> 460 mm x 385 mm <b>Top + Side Plate:</b> 1290 mm
<b>Height</b>	<b>User side:</b> min: 880 mm max: 1330 mm <b>Audience Side:</b> min: 990 mm max: 1440 mm
<b>Weight</b>	85 kg

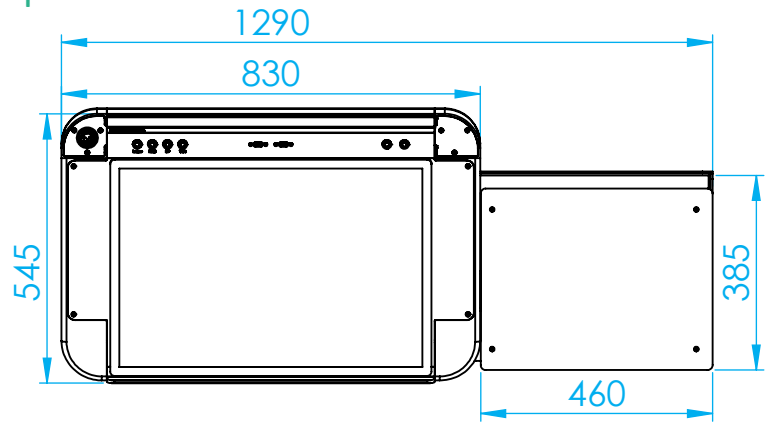
**INTEGRATION**

<b>Display &amp; PC</b>	<b>AIO PC:</b> 28" Microsoft Surface Studio on articulating stand
<b>Accessories</b>	<b>Switcher:</b> Space inside the head for 2 x half rack devices <b>Audio:</b> 1 x Microphone AKG CGN 99
<b>Features</b>	ILS holder for AIO PC Ultra Wide Phone/Tablet holder Height adjustment: Motorised Wide Pillar 40cm range height 2 x Height control buttons; 1 x Side table 4 x Lockable smart castors or sideway rollers

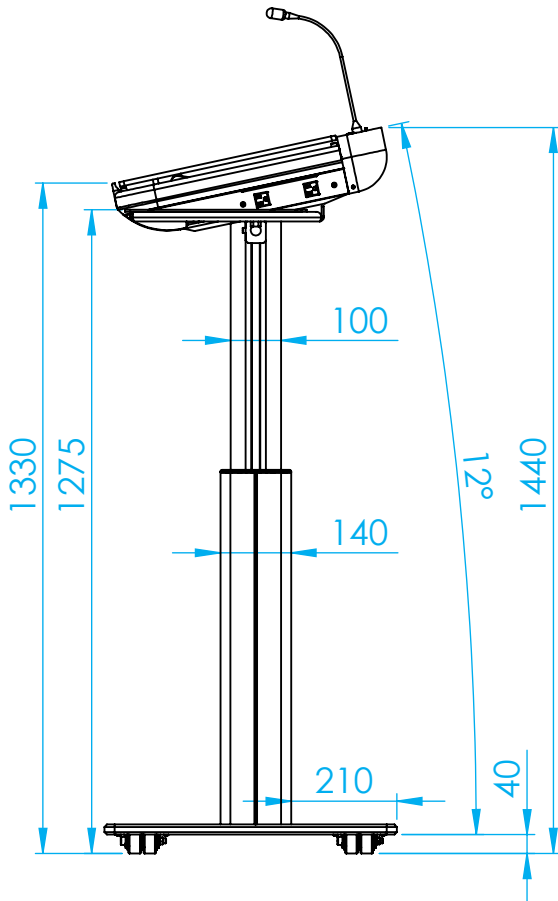
**CONNECTIVITY**

<b>Top</b>	1 x 3-Pin XLR Shock Mount for microphone 2 x USB 3.0 Sockets 3 x Charging cables (USB type-C; Lightning; micro USB); 2 x AC power socket
<b>Bottom</b>	1 x HDMI; 1 x PC LAN; 1 x XLR microphone; 1 x 3.5mm Audio; 1 x AC Power; 1 x HDbaseT; 1 x Switcher Control Cable;

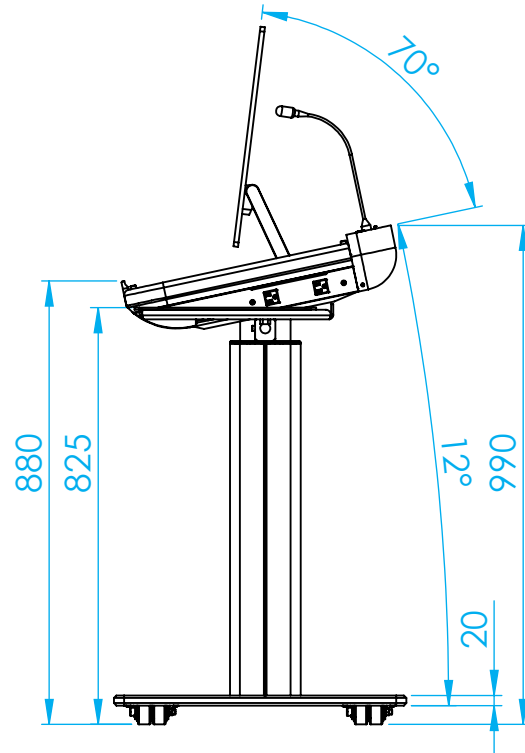
Top View



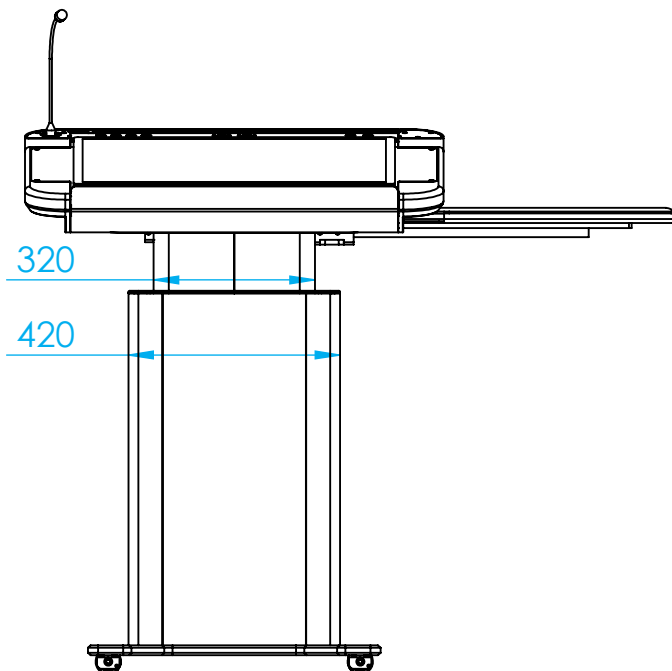
Right Side View - High



Right Side View - Low



User View



Bottom View

